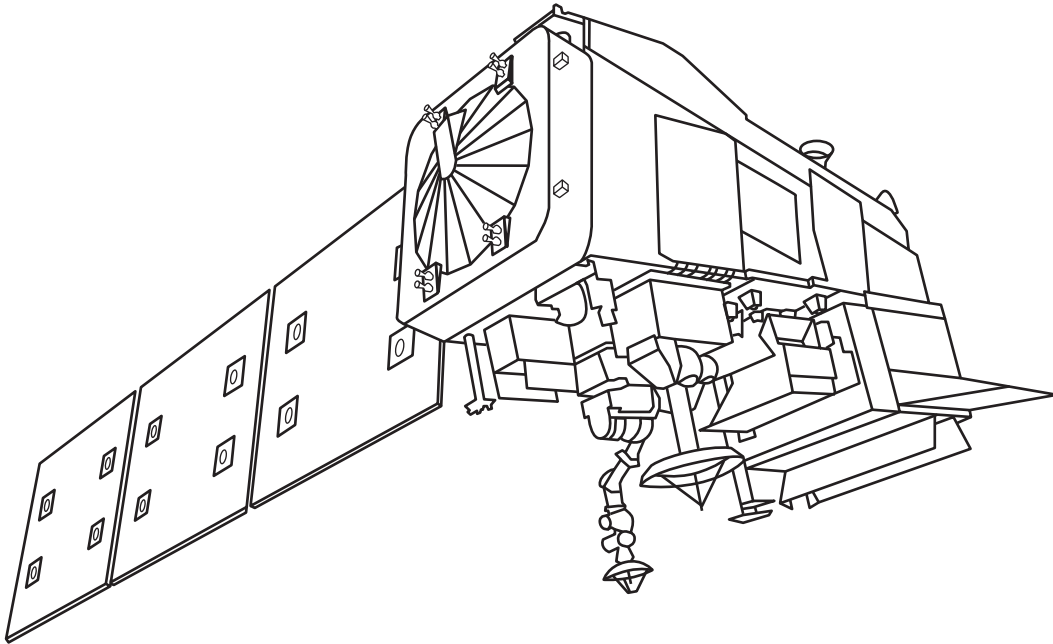


Joint Polar Satellite System-1



JPSS-1 orbits Earth and measures its land, ocean, and atmosphere conditions. These measurements help us predict our weather and understand our climate.

www.jpss.noaa.gov
www.ball.com/aerospace

