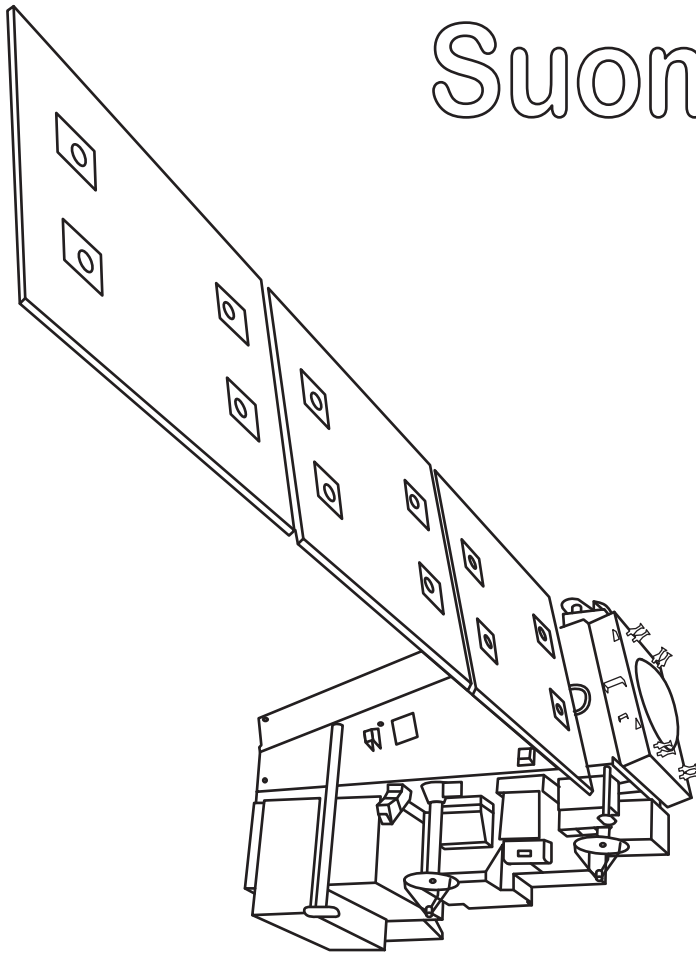


Suomi NPP



Suomi NPP orbits Earth and measures its land, oceans, and atmosphere conditions. These measurements help us predict our weather and understand our climate.

