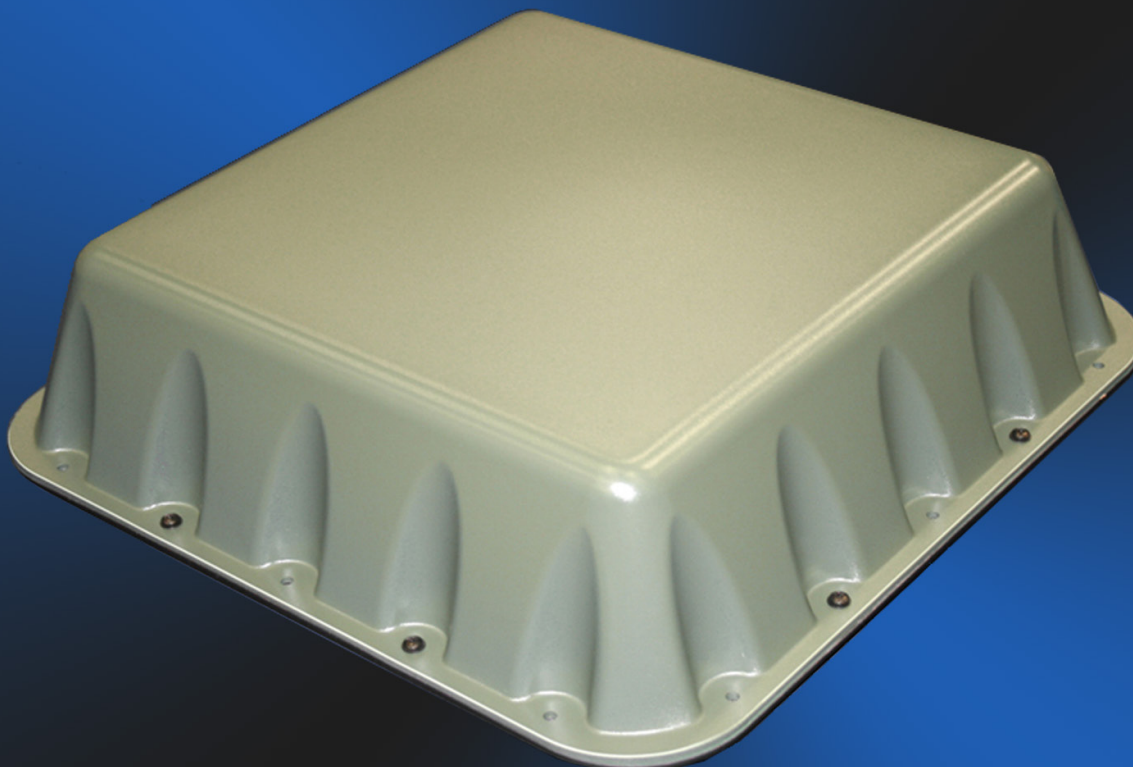


SILHOUETTE™ EPLRS

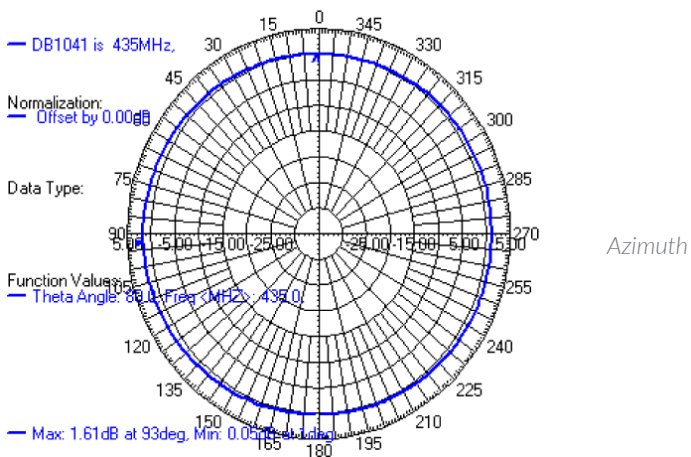
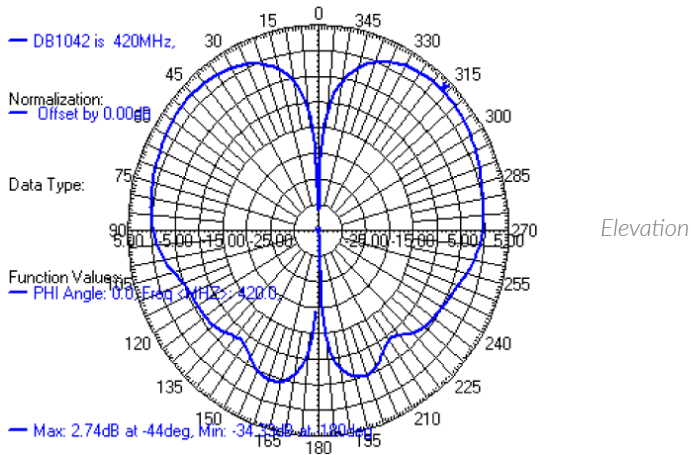


GO BEYOND WITH BALL.®

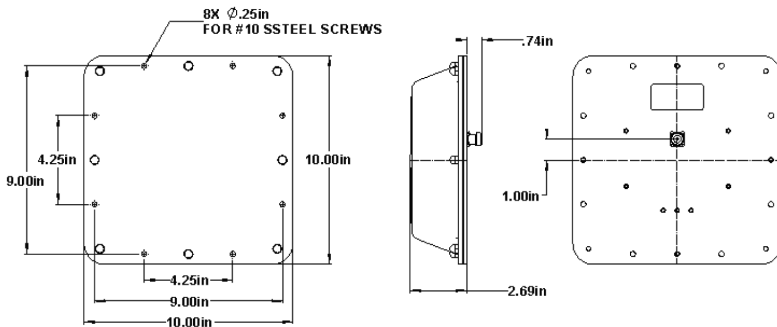
AN0973A

For tactical vehicles, the Silhouette™ antenna product line provides net-centric capability. An ultra-low profile clears the line of fire for remote controlled weapons, and makes for easy transport.

ANTENNA PATTERNS



TYPICAL ICD



FEATURES

- Optimized for tactical vehicles, combat vehicles and maritime on-the-move applications
- Rugged and low-profile
- Impact resistant UV stabilized polycarbonate
- Minimal visual signature
- Cost competitive

SPECIFICATIONS

PERFORMANCE SPECIFICATIONS

Frequency	420-450 MHz
Impedance	50 Ω
VSWR	≤2.0:1
Polarization	Vertical
Power Handling	100 W CW
Peak Gain	+3.0 dBil
Average Conic Gain (20° Elevation)	>0.0 dBil
Coverage	Monopole (Omni)

PHYSICAL PROPERTIES

Length x Width x Height (inches)	10.0 x 10.0 x 2.70
Weight	<2.5 lbs
Connector	Type N, Female
Exterior Finish (CARC)	Fed-Std-595, 383 Green or 686 Tan. Other available

ENVIRONMENTAL QUALIFICATIONS

Temperature	-40° to +180° F
Altitude	25,000 ft
Humidity	MIL-810F Method 507.4
Chemical	MIL-810F Method 504
Salt Fog	ASTM B117
Sand and Dust	MIL-810F Method 510.4
Branch Strike	50 mph
Vibration	MIL-810F Method 514.5
Shock	MIL-810F Method 516.5