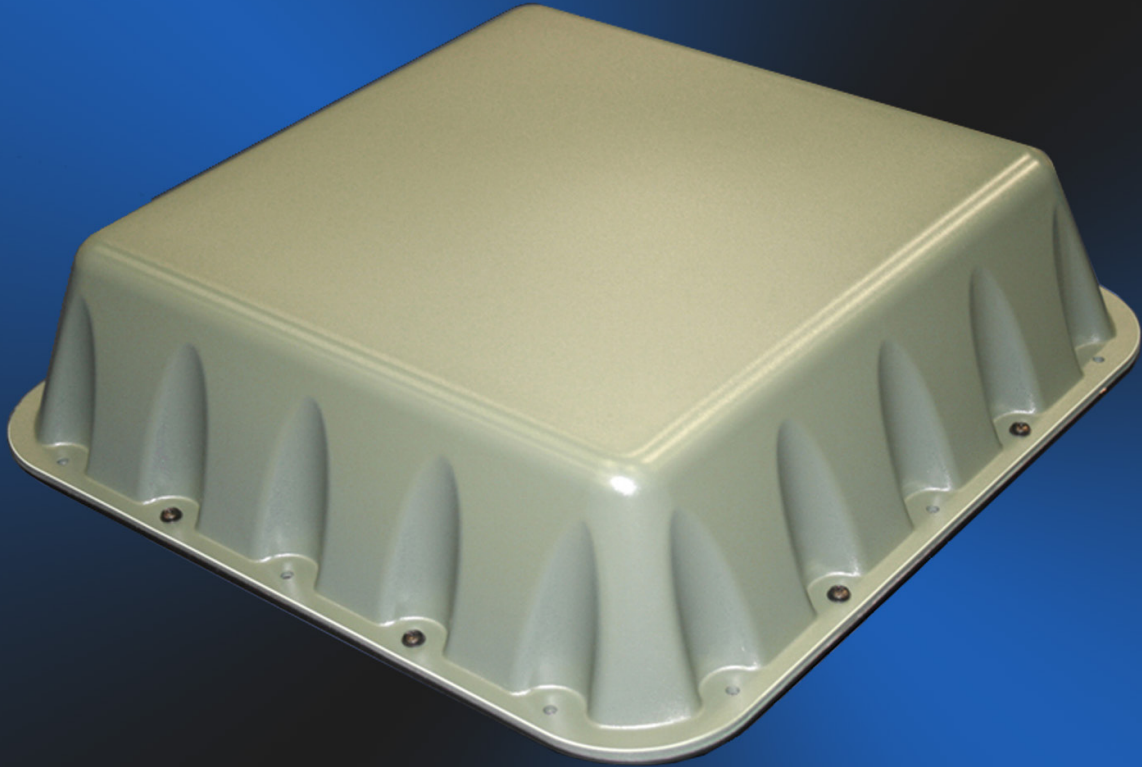


SILHOUETTE™ UHF DUAL MODE

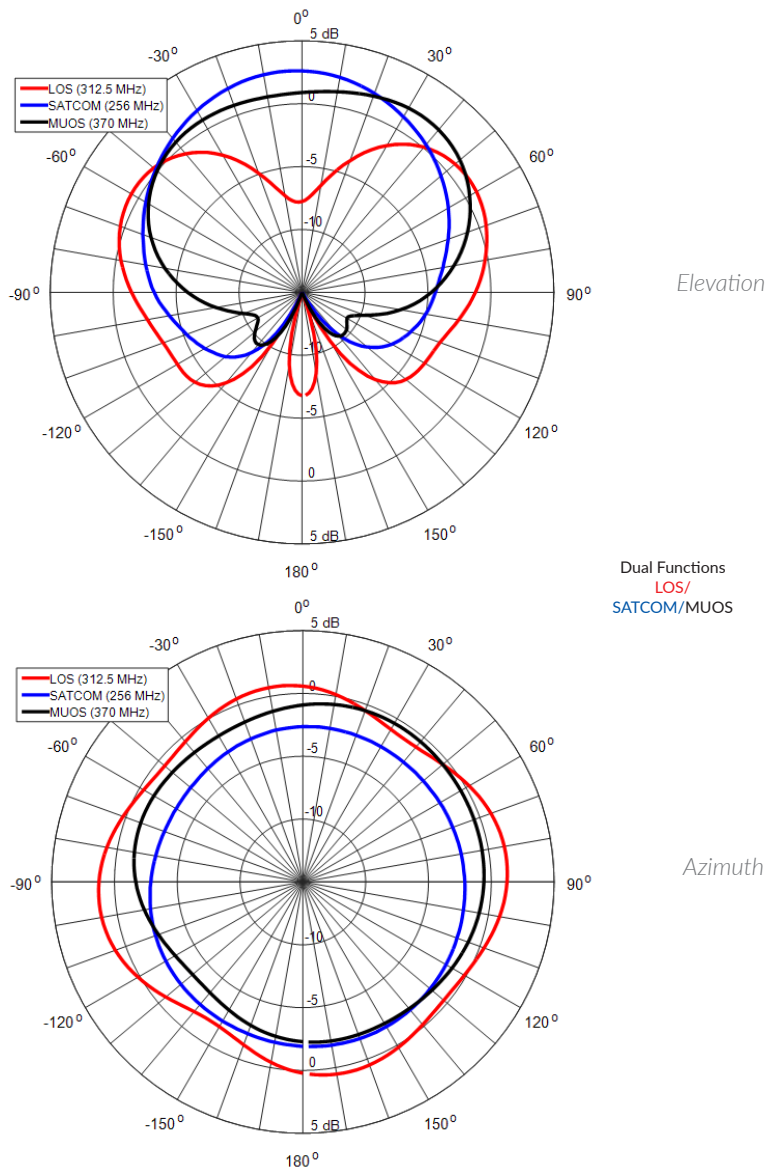


GO BEYOND WITH BALL.®

AN0980A; UHF SATCOM/MUOS and LOS

For tactical vehicles, the Silhouette™ antenna provides net-centric capability. An ultra-low profile clears the line of fire for remote controlled weapons, and makes for easy transport.

OVERVIEW



ADVANTAGES

- Optimized for tactical vehicles, combat vehicles and maritime on-the-move applications
- Rugged and low-profile
- Impact resistant UV stabilized polycarbonate radome
- Minimal visual signature

SYSTEM PERFORMANCE

Performance Specifications

Frequency	225-400 MHz
LOS	243-318 MHz
SATCOM	300-380 MHz
MUOS	
Impedance	50 Ω
VSWR	≤2.0:1
Polarization	Vertical/RHCP
Power Handling	100 W CW
Peak Gain	
LOS - dBil	2.0 dBil
SATCOM - dBic	2.6 dBic
Average Conic Gain (20° Elevation)	
LOS - dBil	>-2.5 dBil
SATCOM - dBic	>-3.0 dBic
Average Conic Gain (10° Elevation)	
LOS - dBil	>-3.5 dBil
SATCOM - dBic	>-4.2 dBic
Coverage	Upper Hemisphere (Omni)

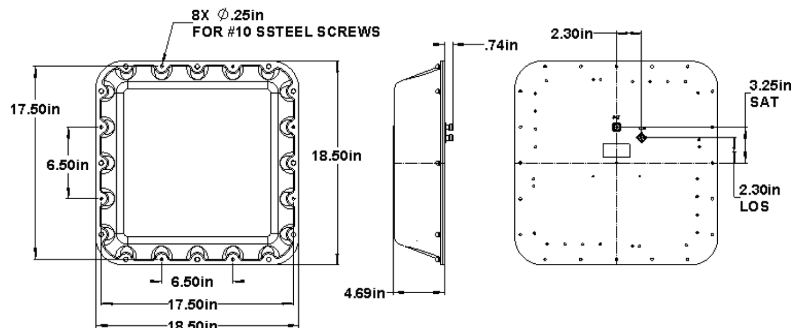
Physical Properties

Weight	<12.0 lbs
Connector	Type N, Female (Terminate Second Connector)
Exterior Finish (CARC)	Fed-Std-595, 383 Green or 686 Tan.

Environmental Qualifications

Temperature	-40° to +180° F
Altitude	25,000 ft
Humidity	MIL-810F Method 507.4
Chemical	MIL-810F Method 504
Salt Fog	ASTM B117
Sand and Dust	MIL-810F Method 510.4
Branch Strike	50 mph
Vibration	MIL-810F Method 514.5
Shock	MIL-810F Method 516.5

SYSTEM COMPONENTS



Terminate unused port with a 50 Ω load rated to 25% of the maximum transmit power